



## EHP 50 - 40

Hood

### FEATURES

Control Panel  
Cabinet  
Washing Arm  
Rinse Arm  
Full AISI 304 stainless steel wash tank for maximum hygiene and durability  
Rinse aid Dosing  
Drain Pump  
Detergent Dosing  
Water Softener  
Break Tank and rinse booster pump  
Boosted Boiler 9 kW  
Mech/Display Interface

**Standard**  
Electromechanical  
Single Skin  
2 - SuperWash  
2 - PP  
●  
Peristaltic

### Optional

●  
●  
●  
●  
●

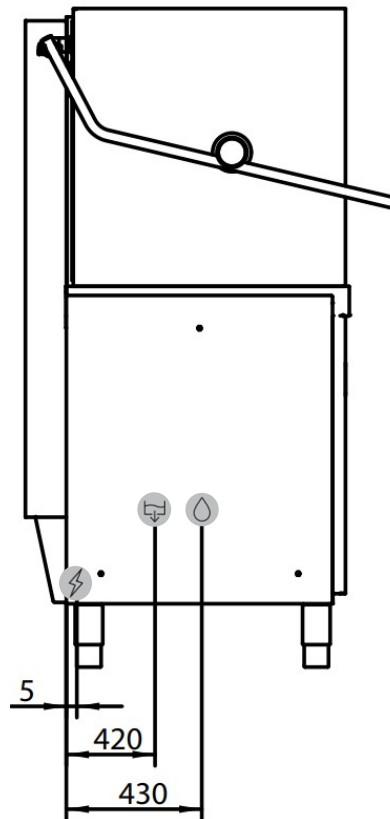
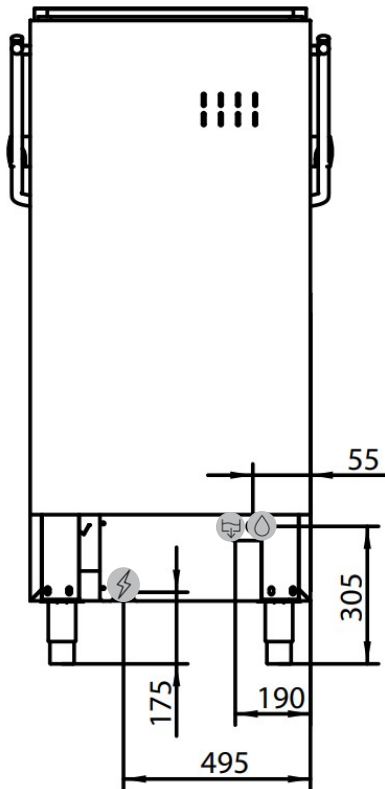
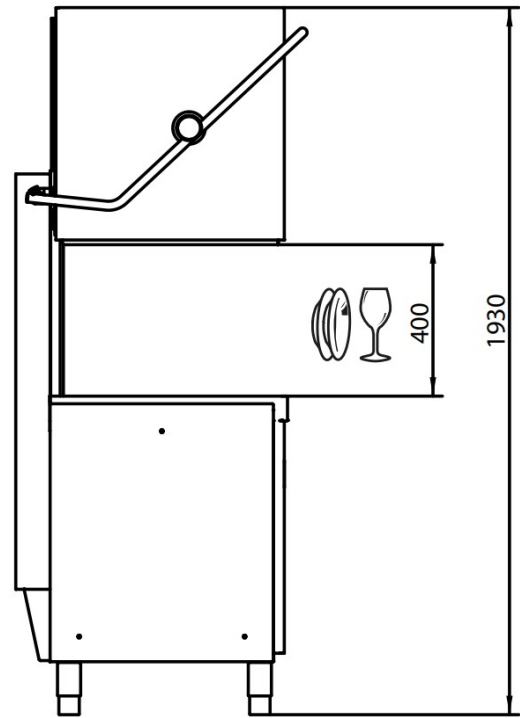
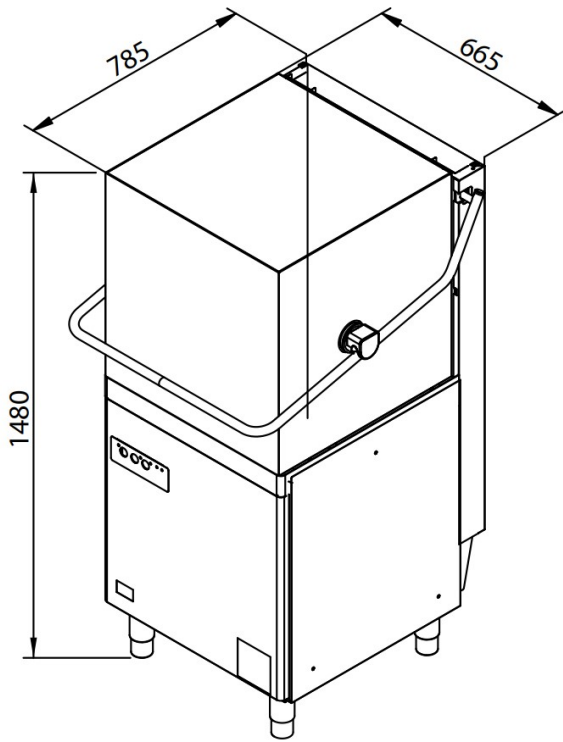
### TECHNICAL FEATURES

		WxDxH mm
External Dimensions	655x785x1480	
Overall Open Door	1930	mm
Maximum Washing Height	400	mm
Clearance	430	mm
Basket Dimensions	500x500	mm
Tank Dimension	30	lt
Water Consumption	2,6	lt/Cycle
Wash Pump	0,52	kW
Tank Heater Element	3	kW
Boiler Heater Element	6	kW
Installed Power	6,52	kW
Washing Cycles	75/120/180	Sec
Output Cycles for Hour	48/30/20	Cycles/H
Power Supply	400V/3N/50Hz	
Noise	68	dBA
Weight	108	Kg
Inlet water	55/7-12	C/°f
	1,5/3	bar

### ACCESSORIES

Hoses (1 per each): Water Loading/Draining, Transparent for rinse aid with dipstick  
Baskets: 1x18 Plates, 1 Universal Basket, 2 Cutlery Basket

## TECHNICAL DRAWINGS



The data, information, and images contained in this document are for informational purposes only and do not constitute a contractual obligation. The company reserves the right to update them without prior notice.